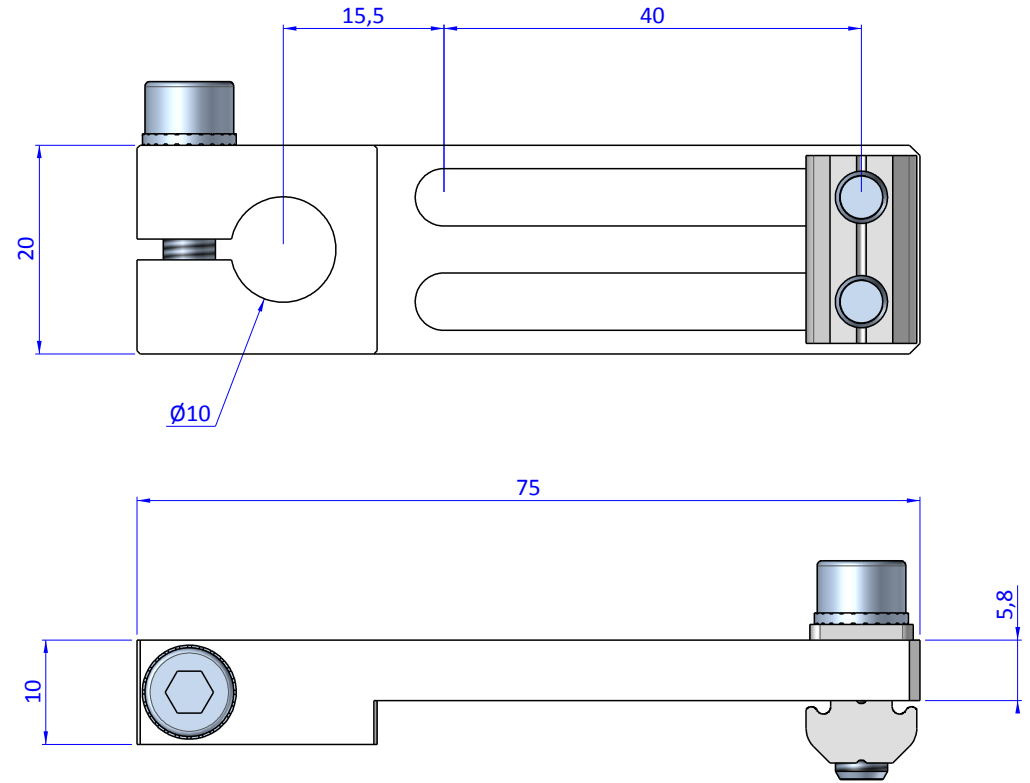
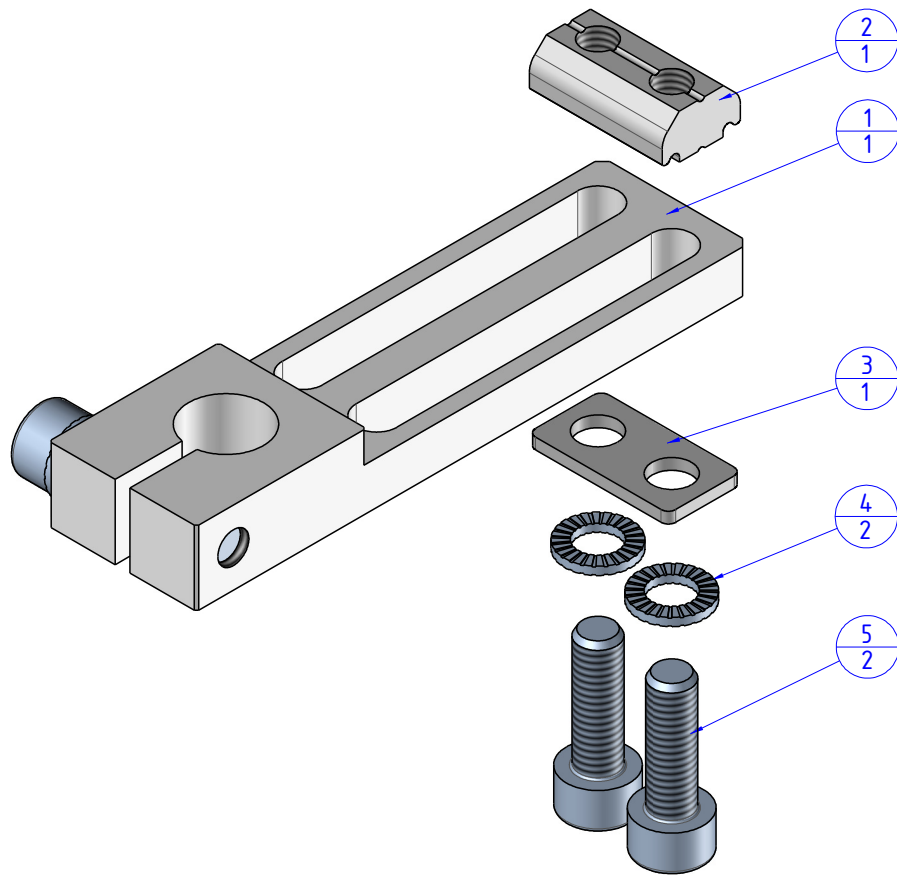


THE PROPERTY OF THE DRAWING IS ESTABLISHED BY LAW. IT IS FORBIDDEN TO PRODUCE OR SHOW IT TO THIRD PARTY, WITHOUT A WRITTEN AGREEMENT.

Item	Name	Q. ty
1	CA.04.02.10	1
2	CA.GWP.5.10	1
3	R.05.10	1
4	R.5.SCH	2
5	V.TCE5x16	2



Format A3

UNI 936-76

		DESIGNED FROM	REVIEW
		FP SERVICES	A
GENERAL TOLERANCE	DESCRIPTION	DATE	WEIGHT
UNI - ISO 2768	CA.04.02.10.X	30/04/2016	0,041kg
CLASSE f		CODE	CA.04.02.10.X